

1-151 Quarter-Turn with L-Handle Pr20.1 L18

Hand operable with key or tool, IP65, Self-locking, Optional pre-assembly

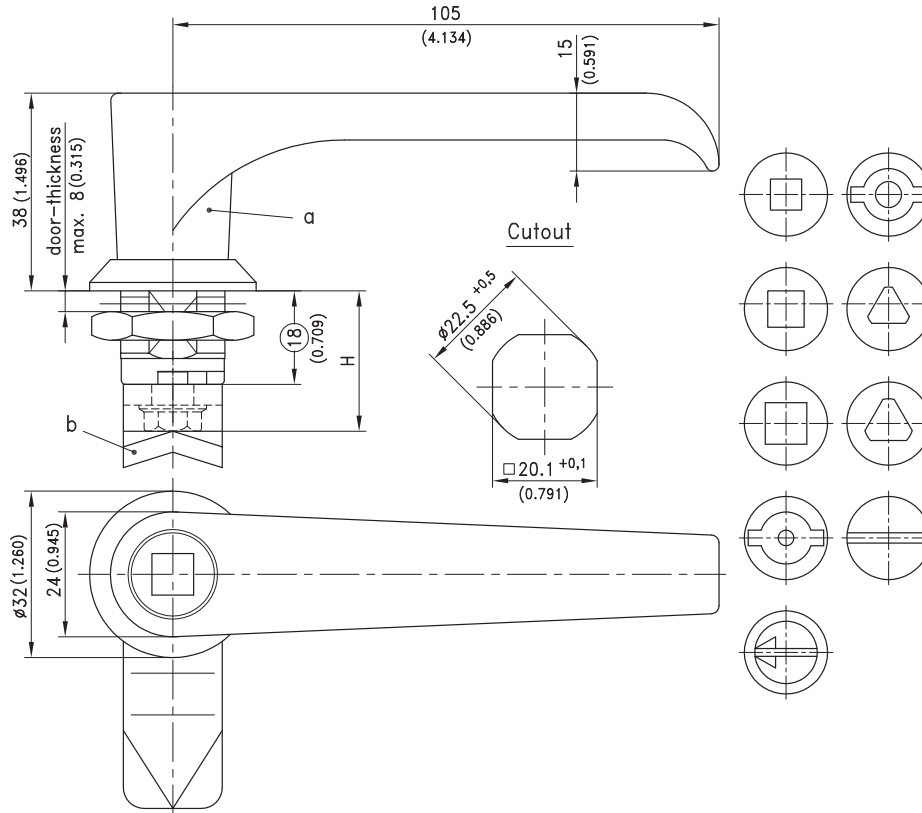


Product Notes:

- RH and LH application
- Water and dust tight according to IP65, DIN EN 60529
- The radial spring loaded insert automatically locks the handle when the handle rotates back into the closed position
- Components can be pre-assembled by DIRAK upon request
- Pre-assembled Quarter-Turn can be installed in cutout
- L-handle

Material:

- **L-handle** PA, Black with Zinc Die Core
- **Insert:** Zinc Die, Chrome Plated
- **Cam:** Steel, Zinc Plated



a) Quarter-turn with L-handle with release insert and plain grounding nut	Part No.	See Page
Insert - Square 6mm	200-9429	
Insert - Square 7mm	200-9430*	
Insert - Square 8mm	200-9431	
Insert - Double bit 3mm pin	200-9432	
Insert - Double bit 5mm pin	200-9433	
Insert - Triangular 7mm	200-9434*	
Insert - Triangular 8mm	200-9435	
Insert - Slotted 2x4mm deep	200-9436	
Insert - Slotted recessed coinproof	200-9475	
* on request		
b) Cam/3-point cam		01.101, 01.102
Optional:		
c) Assembling of cam	200-0001	
Assembling cam 90° to handle without O-ring	200-0019	
Assembling cam for left door	200-0020	
Key for insert		10.18